



# CUTTING INSTRUCTIONS AND INSTALLATION

## TABLE OF CONTENTS

Cutting Instructions for Grate Tops .....	2
Cutting Instructions for Tile Insert Tops .....	3
Cutting Instructions for Storm Water Tops .....	4

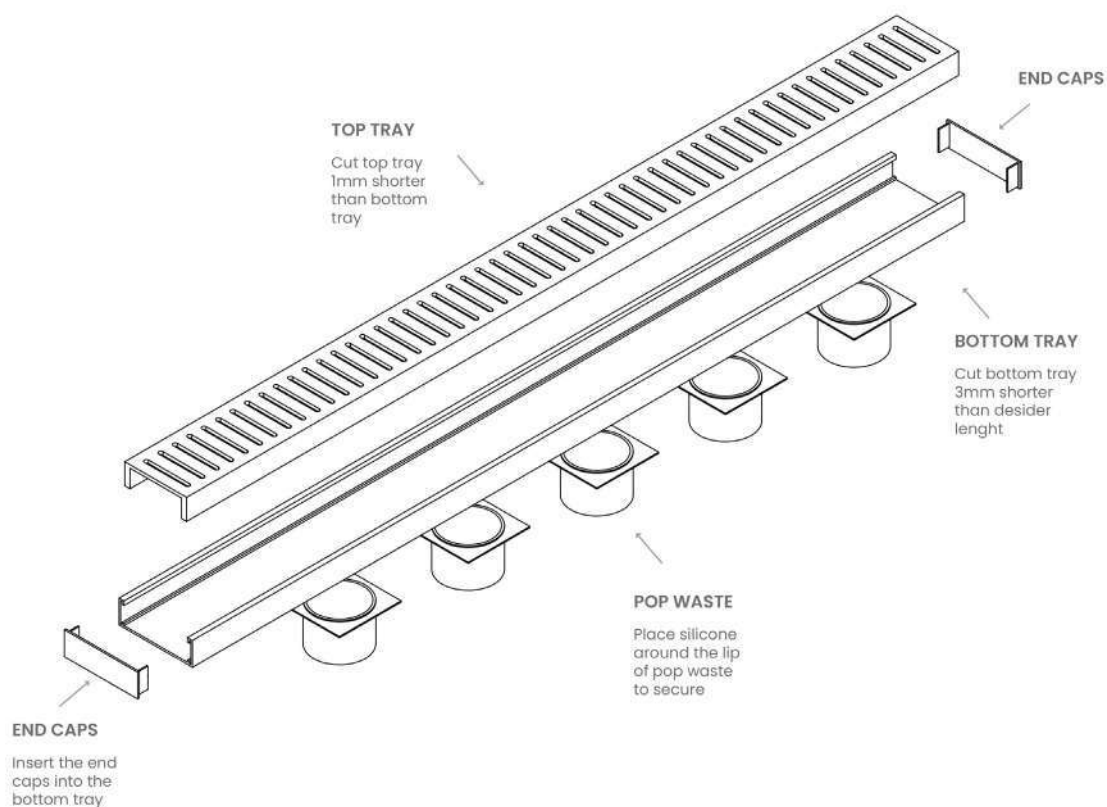
## CUTTING INSTRUCTIONS FOR GRATE TOPS

For ease of cutting Lauxes grates, we recommend using a compound mitre saw fitted with a multi-material cutting blade 80 tooth or more. We also recommend using a Lauxes TCT hole saw to drill the hole for the waste outlet.

1. Cut the bottom tray 3mm shorter than desired length to allow end caps to be fitted.
2. Cut the top grate 1mm shorter than the bottom tray to allow for easy roll-in of top grate and tidy fit.

3. Using a suitable size Lauxes hole saw for your pop waste, drill out the hole at the required position to align with the waste pipe in the floor.
4. Insert the end caps into bottom tray and secure with a bead of silicone on the outside of tray.
5. Place silicone around the lip of the pop waste and secure to the underside of bottom tray at the recently drilled hole.

\* During installation use a template to ensure the grate does not come in contact with any wet cement based products.



Installation to be by a licensed plumber and in accordance with AS/NZS 3500.2.

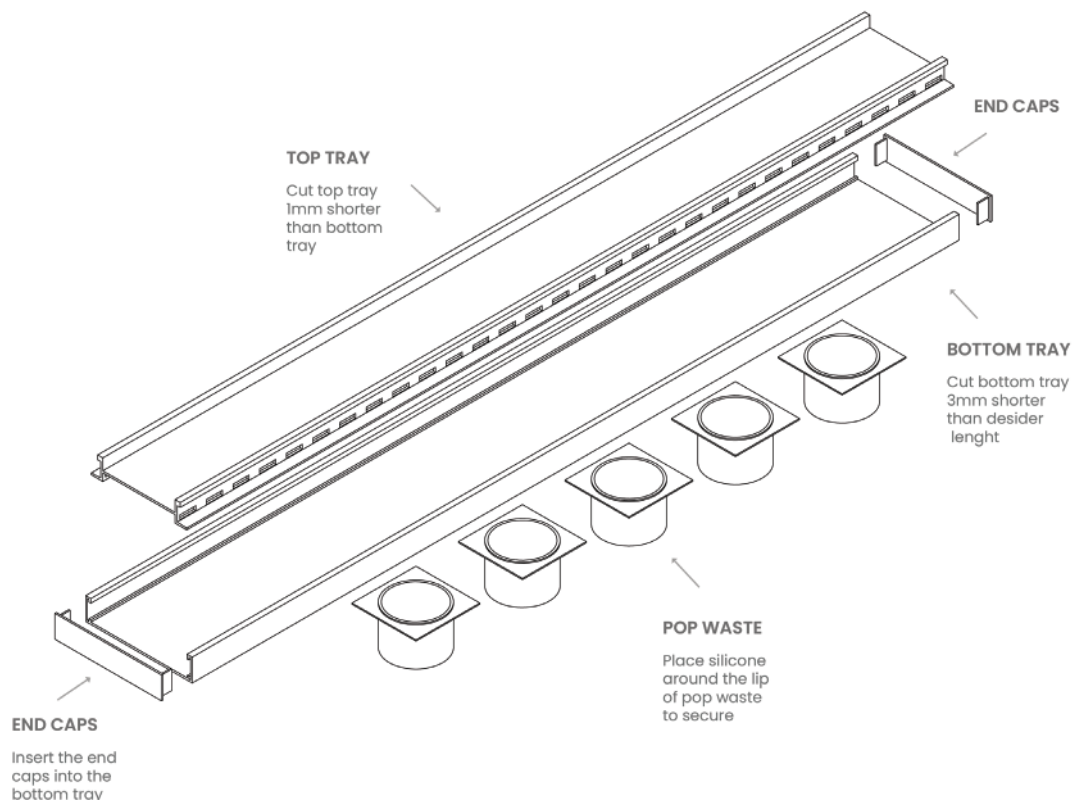
## CUTTING INSTRUCTIONS FOR TILE INSERT TOPS

For ease of cutting Lauxes grates, we recommend using a compound mitre saw fitted with a multi-material cutting blade 80 tooth or more. We also recommend using a Lauxes TCT hole saw to drill the hole for the waste outlet.

1. Cut the bottom tray 3mm shorter than desired length to allow end caps to be fitted.
2. Cut the top grate 1mm shorter than the bottom tray to allow for easy roll-in of top grate and tidy fit.
3. Using a suitable size Lauxes hole saw for your pop waste, drill out the hole at the required position to align with the waste pipe in the floor.
4. Insert the end caps into bottom tray and secure with a bead of silicone on the outside of tray.
5. Place silicone around the lip of the pop waste and secure to the underside of bottom tray at the recently drilled hole
6. When gluing tile, use a neutral cure silicone.

\* During installation use a template to ensure the grate does not come in contact with any wet cement based products.

\* When gluing tile, use a neutral cure silicone.



Installation to be by a licensed plumber and in accordance with AS/NZS 3500.2.

SWG NXT, SWGM NXT & SWGM TI

## CUTTING INSTRUCTIONS FOR STORM WATER TOPS

For ease of cutting Lauxes grates, we recommend using a compound mitre saw fitted with a multi-material cutting blade 80 tooth or more.

1. Cut your Lauxes grate to the desired length.
2. Remove existing plastic top tray.
3. Replace with new Lauxes Storm Water top tray.
4. When installing the tile insert top, use a neutral cure silicone to glue tiles.

\* During installation ensure the grate does not come in contact with any wet cement based products.

